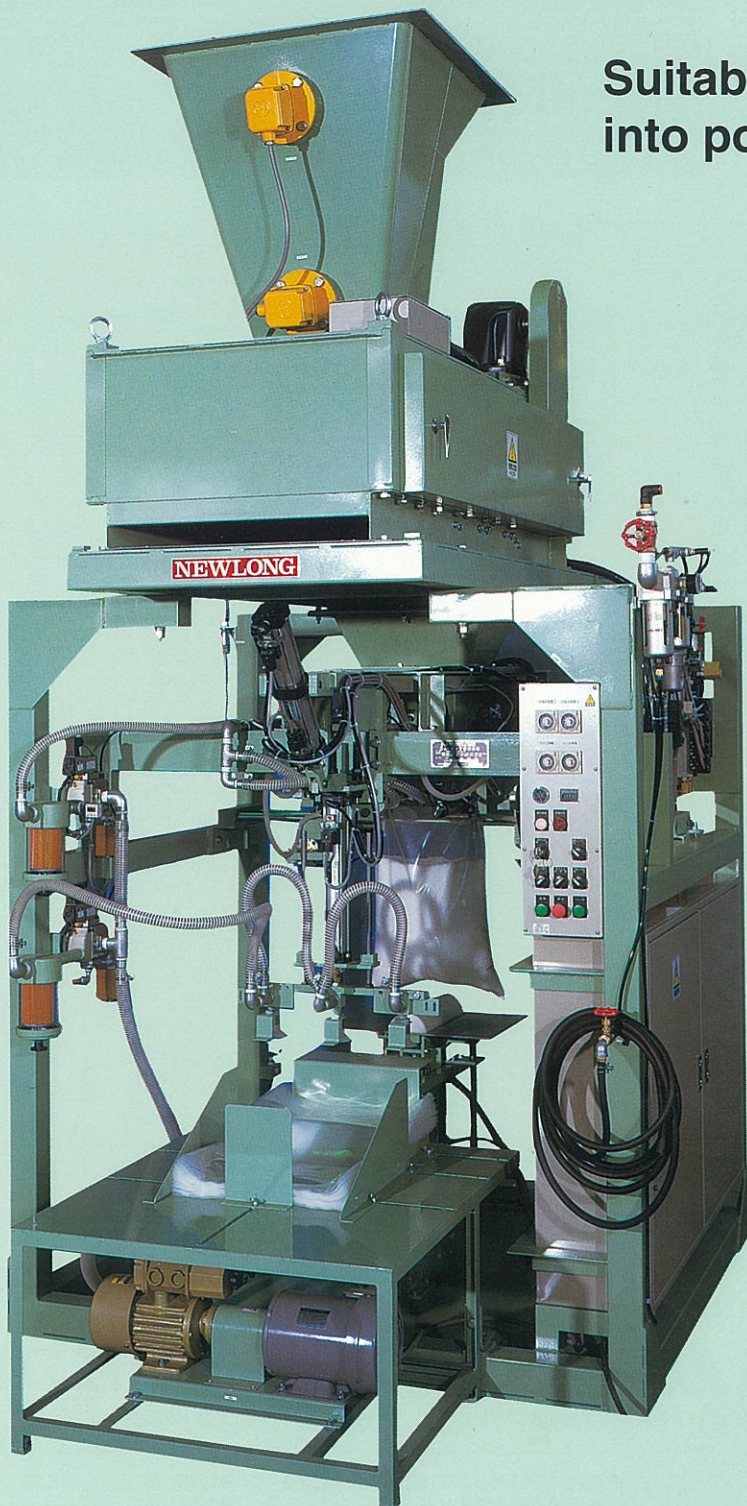




Automatic bagging machine

Model 3CM-55

Multi-purpose automatic bagging machine not only for granular but also powder products.



Suitable for bagging rice products into polyethylene bags.

**Multi-purpose
Easy operation
Compact**

Specification.

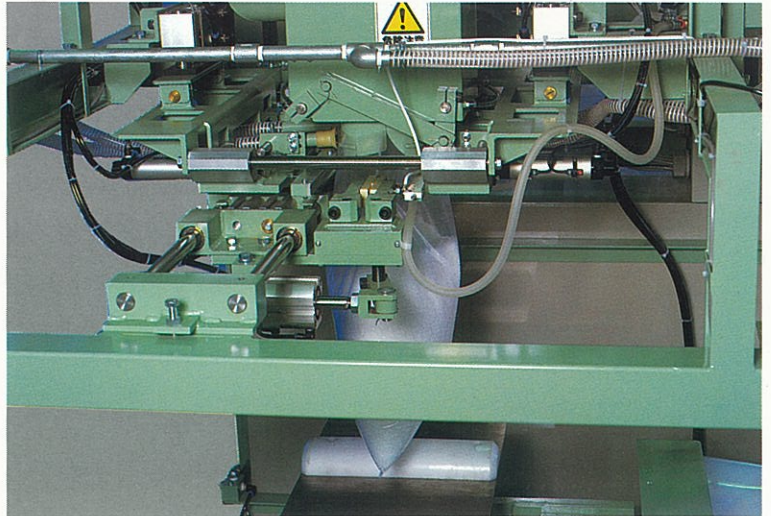
1. Volume weighing or gravity weighing can be chosen for the machine. According to (granular or powder) products to be bagged, feeder applications (screw feeder, cut-off gate, belt feeder, etc.) shall be selected to utilize the machine in various field.
2. Down sizing and simplifying the mechanism.
3. Any other heat sealer in downstream is not necessary because the impulse is pre-installed on the main machine.

NEWLONG MACHINE WORKS, LTD.

NEWLONG MODEL 3CM-55 AUTOMATIC BAGGING MACHINE

IMPULSE SEALER

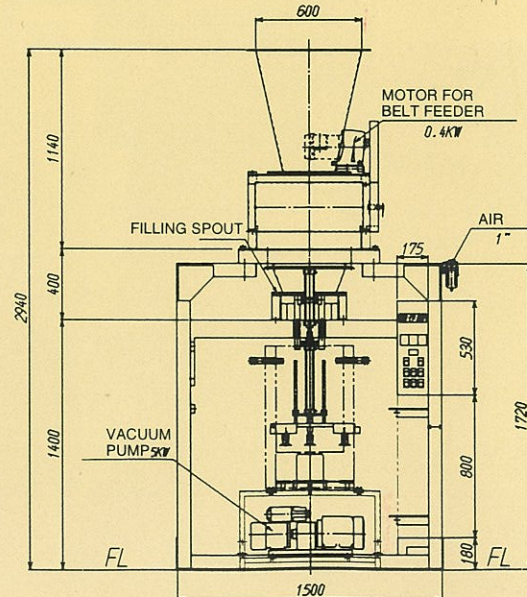
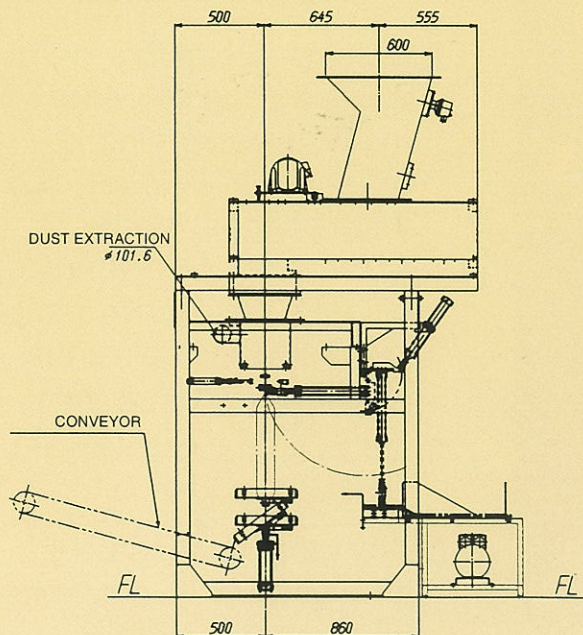
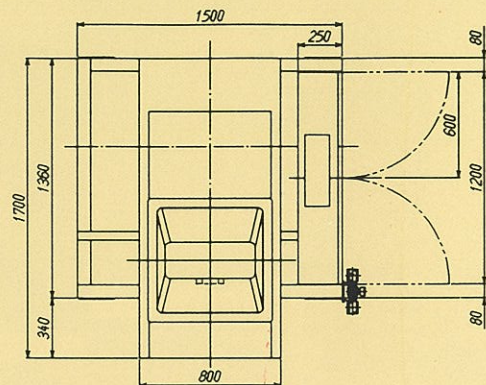
The same pre-installed impulse sealer that has been experienced on model 3CM-52 is mounted under filling spout on the machine. So the mechanism is very compact.



SPECIFICATIONS

Set volume.(weight)	*18~`23ℓ(5-20kg for rice)
Speed	Max. 350 Bags/H (nor. 300 B/H)
Bag type	PE bag (with pin-hole)
Bag size	600~`800L X 390~`500W(mm)
Bag sealing method	Impulse seal
Electricity required	3.2kW, 3Ph (incl. 1.5kW for vacuum pump)
Air consumption	350nℓ/min.(5kg/Gcm ²)

*in case of the free-flowing products



NEWLONG MACHINE WORKS, LTD.

HEAD OFFICE : 14-14 Matugaya 1-Chome, Taito-ku, Tokyo 111 Japan Fax : (03)-3843-0260 Tel : (03)-3843-0269

OVERSEAS OFFICE

NEWLONG TAIWAN MACHINE CO., LTD. Fax : (02)522-1420 Tel : (02)571-6524, 564-2692
 NEWLONG (HONG KONG) CO., LTD. Fax : 2577-2876 Tel : 2576-3676
 NEWLONG MACHINE PHILIPPINES, INC. Fax : (02)897-4018 Tel : (02)896-1919, 896-1916, 895-2474
 NEWLONG THAILAND LTD. Fax : (02)391-5508 Tel : (02)391-1171, 391-8870, 391-5509
 NEWLONG MALAYSIA SDH. BHD. Fax : (03)717-6000 Tel : (03)718-0323, 718-8401

NEWLONG SIGAPOLE PTE. LTD. Fax : (065)265-1994 Tel : (065)265-0901, 261-2126
 NEWLONG HOLLAND B. V. Fax : (020)653-2416 Tel : (020)653-2350
 AMERICAN-NEWLONG INC. Fax : (0317)786-5225 Tel : (0317)787-9421
 NEWLONG DO BRASIL MAQUINAS INDUSTRIAS LTD. Fax : (011)276-9084 Tel : (011)276-9744
 NEWLONG FZE Fax : (04)838-688 Tel : (04)838-788