

FUJI ACE

EC-101 ROBOT PALLETIZER

The EC-101 robot offers production rates up to 15 cycles per minute utilizing only 2 KVA. This unit is a highly efficient robotic palletizer which provides the least expensive solution in our robot family with the ability to meet low to medium production requirements. When using the EC-101 robot, you will receive "added value" for years to come given the cycle rate to power consumption ratio.

This new generation robot provides an ultra quiet operation, improved efficiencies, and maximum flexibility.

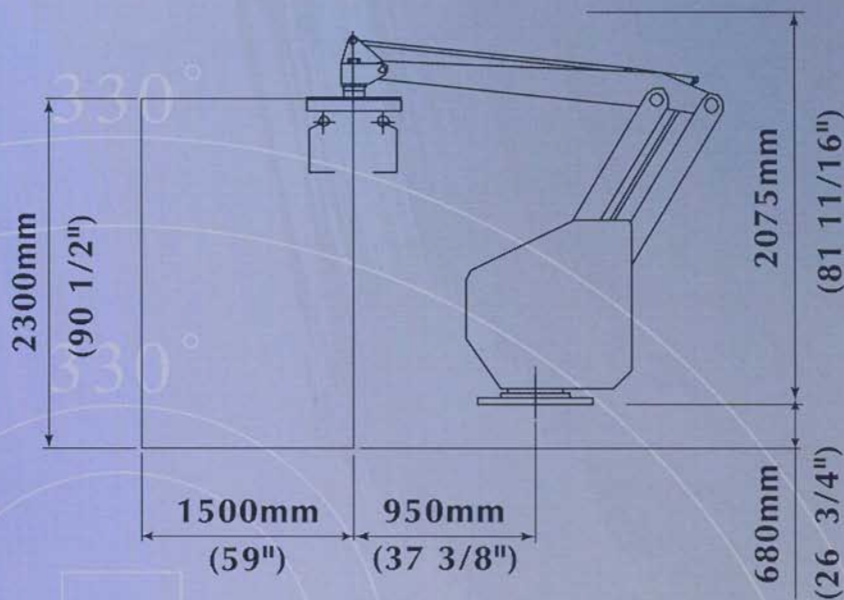


Advanced Palletizing Technology



Fuji Ace Technical Specifications

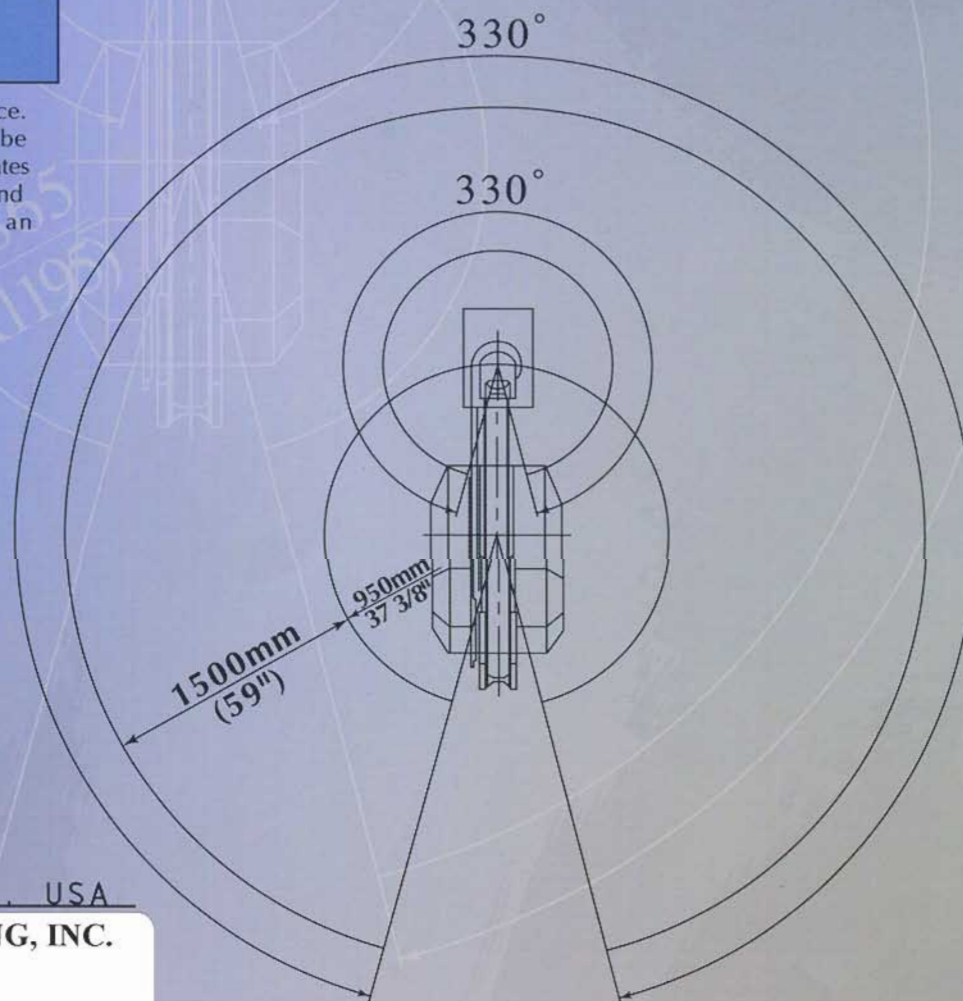
Model	EC-101	
Mechanism	Articulated Robot	
Action Mode	Cylindrical	
Weight Capacity (Including hand)	120 Kg (264 lbs)	
Palletizing Capacity (cycles / hour)	1000 c/hr	
Degree of Freedom	4 Axes	
Operational Space	Z axis (vert.)	2300 mm (90 1/2")
	R axis (long.)	1500 mm (59")
	θ axis (turn)	330°
	α axis (wrist)	330°
Hand gripper	Clamp, Fork, Vacuum, Custom Designed	
Memory	30 Recipes	
Teaching Method	Teaching Playback / Teaching Support / Teachingless (Option)	
Power (200/220v 3ph 50/60hz)	2 KVA	
Main Body Weight (without hand)	800Kg (1764 lbs)	



Note: Specifications are subject to change without notice. Capacities as stated above are the maximum that may be achieved by the robot under ideal conditions. Capacity rates can be significantly effected by layouts, product types, and can only be confirmed after a detailed analysis of an application.

Options

- Cold environment upgrade
- Harsh environment upgrade (stainless steel components)
- Memory program expansion
- Auto reject function
- Simultaneous multi-size product handling (5th axis)
- Slipsheet placement
- Pallet placement



Fuji Yusoki Kogyo Co., Ltd. USA



AMERICAN-NEWLONG, INC.

5310 S. Harding Street

Indianapolis, IN 46217

Phone: 317-787-9421

Fax: 317-786-5225

email: newlong@american-newlong.com

www.american-newlong.com