

# FUJI ACE

## EC-201 ROBOT PALLETIZER

The EC-201 high speed robot is a compilation of years of research and development. This technologically advanced robot offers **capacity rates over 26 cycles per minute and a payload weight of 440 lbs.** These points plus other advantages place Fuji as the premier solution to a highly competitive market place.

Our commitment to improving palletizing technology has been the cornerstone of our business for nearly 40 years and this sharply focused mission helped define many advantages that come with our superior design.

This new generation robot provides an ultra quiet operation, improved efficiencies, and maximum flexibility that accompany "high speed" palletizing technology.

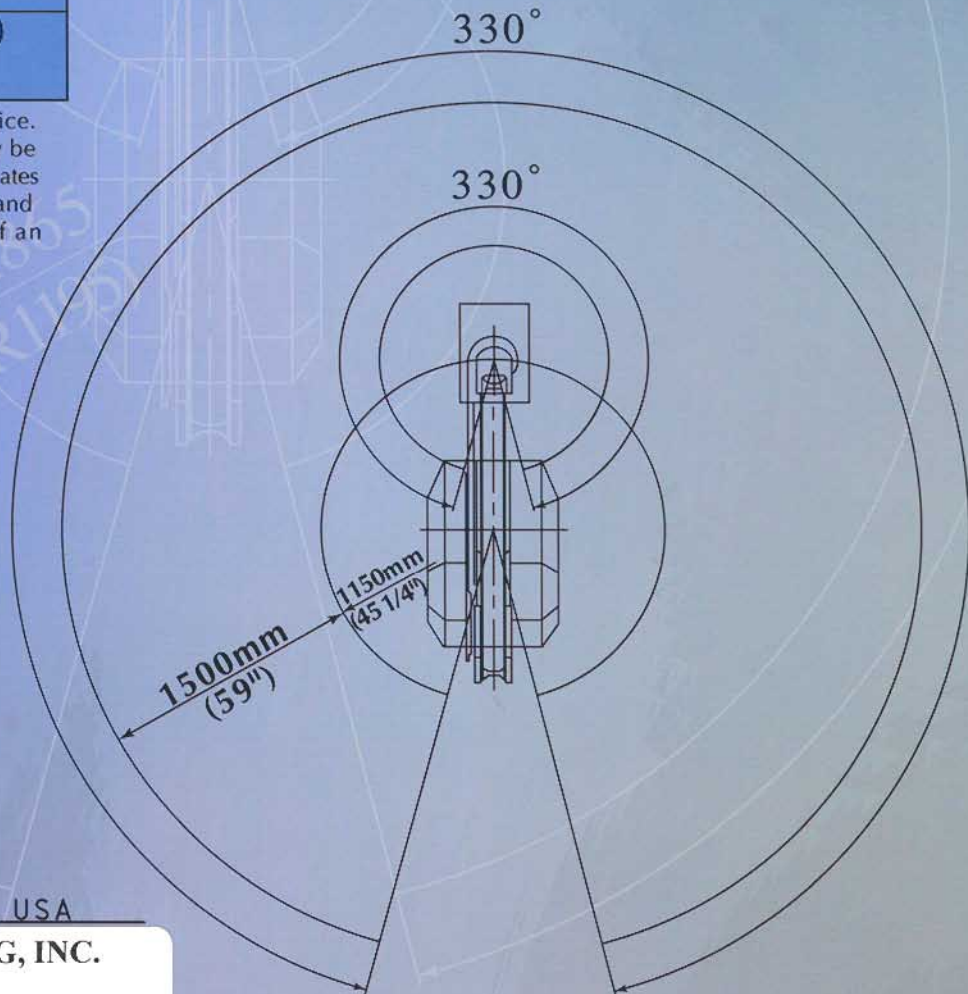
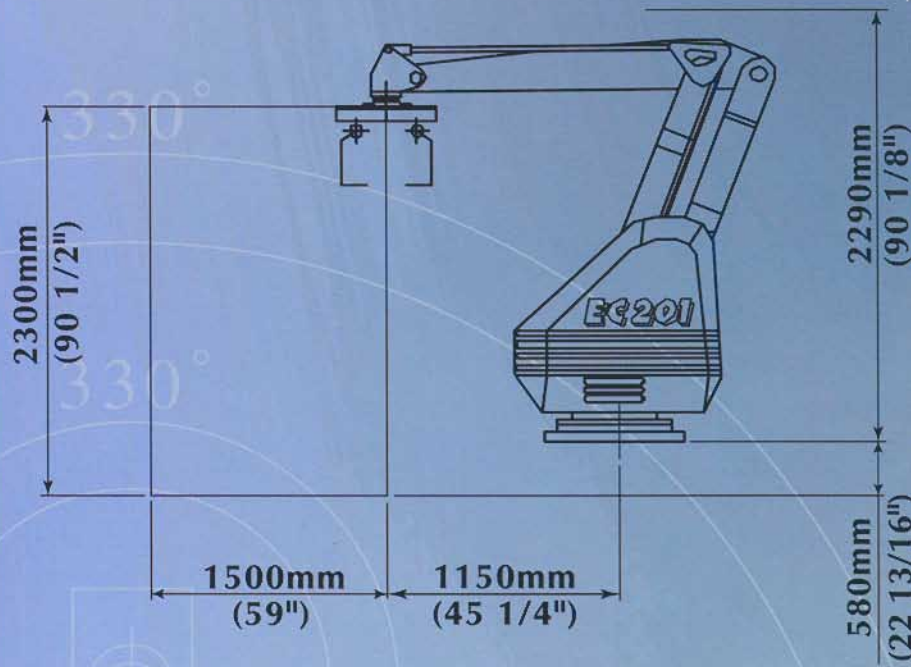


### Advanced Palletizing Technology



# Fuji Ace Technical Specifications

<b>Model</b>	EC-201	
<b>Mechanism</b>	Articulated Robot	
<b>Action Mode</b>	Cylindrical	
<b>Weight Capacity (Including hand)</b>	200 Kg (440 lbs)	
<b>Palletizing Capacity (cycles / hour)</b>	1600 c/hr	
<b>Degree of Freedom</b>	4 Axes	
<b>Operational Space</b>	Z axis (vert.)	2300 mm (90 1/2")
	R axis (long.)	1500 mm (59")
	$\theta$ axis (turn)	330°
	$\alpha$ axis (wrist)	330°
<b>Hand gripper</b>	Clamp, Fork, Vacuum, Custom Designed	
<b>Memory</b>	30 Recipes	
<b>Teaching Method</b>	Teaching Playback / Teaching Support / Teachingless (Option)	
<b>Power (200/220v 3ph 50/60hz)</b>	6.5 KVA	
<b>Main Body Weight (without hand)</b>	1150Kg (2536 lbs)	



Note: Specifications are subject to change without notice. Capacities as stated above are the maximum that may be achieved by the robot under ideal conditions. Capacity rates can be significantly effected by layouts, product types, and can only be confirmed after a detailed analysis of an application.

## Options

- Cold environment upgrade
- Harsh environment upgrade (stainless steel components)
- Memory program expansion
- Auto reject function
- Simultaneous multi-size product handling (5<sup>th</sup> axis)
- Slipsheet placement
- Pallet placement

Fuji Yusoki Kogyo Co., Ltd. USA

**AMERICAN-NEWLONG, INC.**

5310 S. Harding Street

Indianapolis, IN 46217

Phone: 317-787-9421

Fax: 317-786-5225

email: [newlong@american-newlong.com](mailto:newlong@american-newlong.com)

[www.american-newlong.com](http://www.american-newlong.com)

